

Hawk Script Form

Adjustable Squeeze Day Wheelchair 90420

To Order Fill in the frame dimensions and features required. For variations describe in detail on a separate page. If you have any further questions contact us at the address at the bottom of the page.

SEND FORM
If online, click here to send via e-mail

Date _____

Name _____

Address _____

Phone _____

Fax / Cell _____

Email _____

Disability _____ Weight _____ Height _____

Delivery details _____

Therapist details _____

Required by _____

TRIAL CHAIR REF: _____

Shoe Size _____ T-Shirt Size _____

MEASUREMENTS (Refer to diagram below)

Frame Materials Titanium (std) 90420 Aluminium 90420A

A Seat width 16" 17" 18" 19" 20"

D Back angle setup (adjustable - 90° std) _____

J Footplate width _____

A Custom seat width **AD10100** _____

E Seat to footplate _____



IMPORTANT Foot-plate Width
When measuring across feet you must add 2" (50mm).
Add another 1" if using a Freewheel.

B Seat depth 16" 17" 18" 19" 20"

F Seat to floor - front _____

B Custom seat depth **AD10100** _____

17" 18" 19" 20"

B Growth in rear seat depth **AD10700** _____

G Seat to floor - rear _____

3/4" 1-1/2" 2-1/4" 3"

14" 15" 16" 17" 18" 19"

C Back height set at _____

H Balance Point 1" 2" 3" 4"

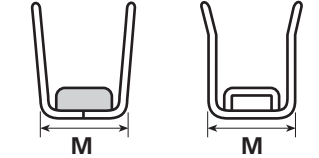
short 9" - 12" med 12" - 15" tall 15" - 18"

I Camber (0°-5°) 0° 3° 5°

Custom height _____

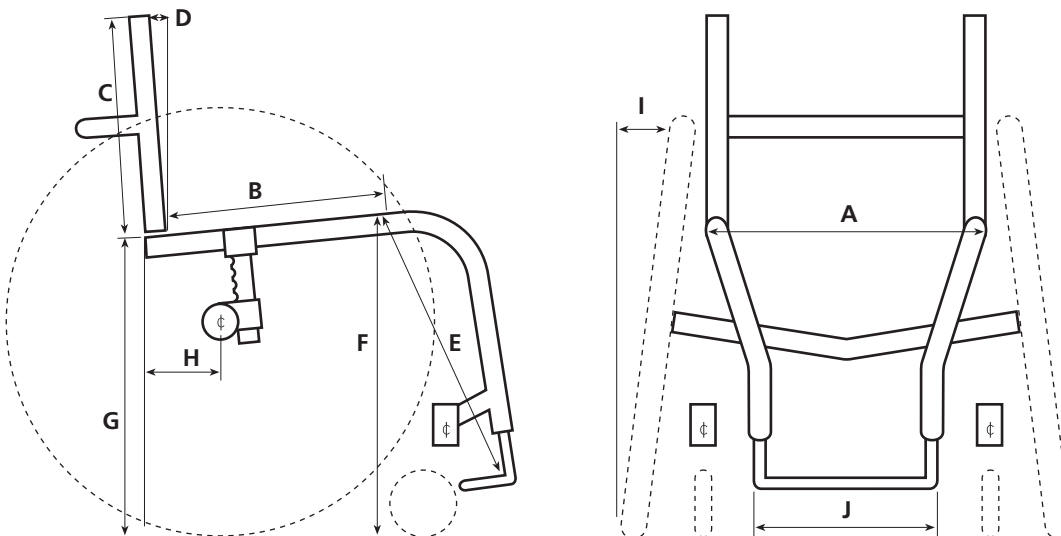
Front Hanger Taper Style

V Front Pro T Front



ADDITIONAL NOTES

(you can type here)



Hawk Script Form

Adjustable Squeeze Day Wheelchair

Name _____

BACK REST

- Folding back (std) Folding & locking back **AD11250**

FOOTPLATE

- Standard Angle adjustable **AD11520** ABS on footplate **AD11500** Fabric padded cover **AD11510**

CASTORS

- 4" solid (std) 5" solid (std) 6" solid (std)
 4" x 1.25" alloy **AD11710** 5" solid alloy **AD11740** 6" solid alloy **AD11742**
 4" wide soft roll **AD11806** 5" x 1.5" solid **AD11720** 6" x 1.5" solid **AD11730**
 5" x 1.5" alloy **AD11740** 6" x 1.5" alloy **AD11742**
 5" wide soft roll **AD11810** 6" wide soft roll **AD11820**

FORKS

- Standard forks (std) Ultralight bearing forks **AD11910** Frog Legs suspension **AD11950**

PUSH HANDLES

- Nil Removable **AD14100** Height adj dual clamp **AD14120** Foldable in back canes **AD14160**
 height _____ height _____

BRAKES

- Nil Brake extension left **AD14550** Scissor (std) Scissor Lock Composite **AD14570**
 Push to lock (std) Brake extension right **AD14550** Ergo Scissor **AD14522** D's-Locks **AD14600**
 Pull to lock **AD14510** Ergo Scissor w/spring **AD14524** Hill climbers **AD14530**

ANTI-TIPS

- Nil Pair of single anti-tips with plastic wheels **AD15000**
 Latch flip-up **AD15022** Pair of single anti-tips with rollerblades **AD15030**

ARMRESTS

- Nil T adjustable height desk pad armrest with ABS skirt guard **AD15280**
 T adjustable height desk pad armrest **AD15260** T adjustable height full length pad armrest with ABS skirt guard **AD15281**
 T adjustable height full length pad armrest **AD15261**

UPHOLSTERY

- Sling (std) (Hybrid sling screwed and strapped) To fit solid back _____ Cushion 2" **AD16202** Bag on back of chair **AD16680**
 No back upholstery _____ Cushion 3" **AD16203** Bag on right front hanger **AD16620**
 Tension adjustable back (std) Cushion 1" **AD16201** Bag under chair **AD16600** Bag on front left hanger **AD16620**

SKIRT GUARDS

- Nil ABS drop in **AD16110** Fabric skirt guards **AD16100**

STRAPS, IMPACT GUARDS

- Leg strap (std) Impact guards front hangers (std) Impact guards grab bar **AD16420** Impact guards made only if suitable after fitting anti tips, push handles etc.
 Impact guards bottom bar **AD16422**

Hawk Script Form

Adjustable Squeeze Day Wheelchair

Name _____

WHEELS**24"**

- Spoked Wheels (std)
- Spinergy Day Wheels (18 spoke) **AD13300** (Choose your spoke colour) **Bk R Bl W Y**
- Spinergy LX Wheels (12 spoke) **AD13310** (Choose your spoke colour) **Bk R Bl W Y Gr Pk O**
- Spinergy LX Wheels with FlexRim (12 spoke - black only) **AD13315**
- X Core Wheels (5 spoke) **AD13108**
- Spider Wheels **AD13100**
- Topolino Wheels **AD13350**
- Dino Wheels **AD13360** (Choose your spoke colour) **Bk R Bl Sv Go Gr Pk O LB Pu**
- BMX Wheels (std)

25"

- Spoked Wheels (std)
- Spinergy Day (18 spoke) **AD13300** (Choose your spoke colour) **Bk R Bl W Y**
- Spinergy LX (12 spoke) **AD13310** (Choose your spoke colour) **Bk R Bl W Y Gr Pk O**
- Spinergy LX Wheels with FlexRim (12 spoke - black only) **AD13315**
- X Core Wheels (3 spoke) **AD13200**
- Topolino Wheels **AD13350**
- Dino Wheels **AD13360** (Choose your spoke colour) **Bk R Bl Sv Go Gr Pk O LB Pu**
- BMX Wheels (std)

26"

- Spoked Wheels (std)
- Spinergy Day (18 spoke) **AD13300** (Choose your spoke colour) **Bk R Bl W Y**
- Spinergy LX (12 spoke) **AD13310**
- BMX Wheels (std)

 Spare Wheel(s) Type: _____

Tyres: _____ Pushrims: _____ Size: _____

TYRES**24"**

- 24" x 1" HP Smooth (std)
- 24" x 1" HP Tread (std)
- 24" x 1" Solid (std)
- 24" x 1-3/8" Tread (std)
- 24" x 1-3/8" Solid (std)
- 24" x 1-3/8" Kenda HP Tread **AD13710**
- 24" x 1-3/8" Knobbly V-Trak **AD13715**
- 24" x 1" Kenda Ironcap Blue **AD13700**
- 24" x 1" Kenda Konstrictor **AD13720**
- 24" x 1" Schwalbe Right Run **AD13740**
- 24" x 1" Schwalbe Marathon Evo **AD13750**
- BMX Tread (std)

25"

- 25" x 1" HP Smooth (std)
- 25" x 1" Solid (std)
- 25" x 1" Kenda Ironcap Blue **AD13700**
- 25" x 1" Kenda Konstrictor **AD13720**
- 25" x 1" Schwalbe Right Run **AD13740**
- 25" x 1" Schwalbe Marathon Evo **AD13750**
- BMX Tread (std)

26"

- 26" x 1" HP Smooth (std)
- 26" x 1-3/8" Tread (std)
- 26" x 1" Solid (std)
- 26" x 1" Schwalbe Right Run **AD13740**
- 26" x 1" Schwalbe Marathon Evo **AD13750**
- BMX Tread (std)

AXLES

- Quick release axles (std) Quad release **AD12500**

PUSHRIMS

- Anodised (std) Rubber coated (black) **AD13850** Spinergy FlexRim - see Wheels Q Grips **AD13865**
- Anodised (1") **AD13855** Rubber coated (1") **AD13857** RibGrips **AD13866**
- Vinyl **AD13830** Surge **AD13864** Natural Fit Lite with thumb grips **AD13860**
- Vinyl (1") **AD13859** Max Greppe **AD13870** Natural Fit Lite without thumb grips **AD13860**

PUSHRIMS - POSITION

- Standard In close Onto rim

SPOKE GUARDS

- Nil Clear polycarb **AD13900** Black ABS **AD13901**

Name _____

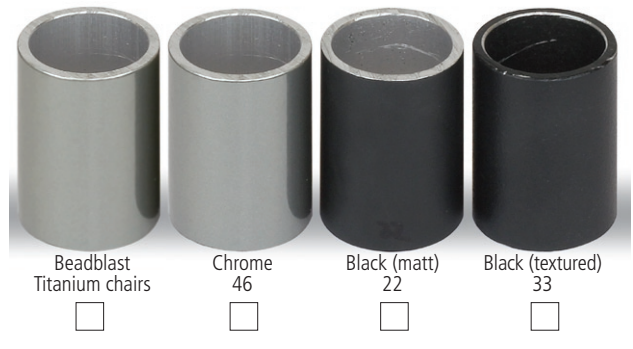
ATTENTION

THIS IS A GUIDE TO COLOURS ONLY, how colours appear on your monitor or when printed out may vary.

Talk to us if you want your Titanium frame coloured or polished.

Colour availability is subject to change without notice.

STANDARD & ENABLE CLIENT COLOURS



GLASS COLOURS



CANDY COLOURS



CANDY COLOURS (SPECIAL)



FLUORESCENT COLOURS

