

# Warrior Script Form

Rugby League Sports Wheelchair 90906

**To Order** Fill in the frame dimensions and features required. For variations describe in detail on a separate page. If you have any further questions contact us at the address at the bottom of the page.

**SEND FORM**  
If online, click here to send via e-mail

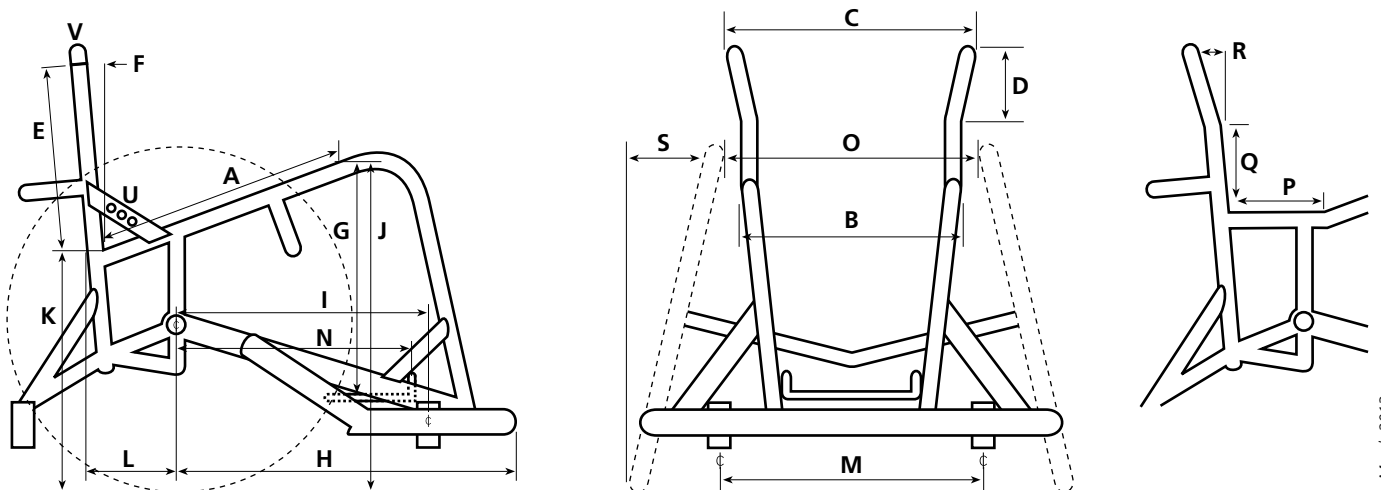
Date _____	Delivery details _____				
Name _____	_____				
Address _____	_____				
_____	_____				
Phone _____	_____				
Fax / Cell _____	Required by _____				
Email _____	(Delivery is normally 4-6 weeks from order confirmation)				
Disability _____	Grading _____	Weight _____	Height _____	Shoe Size _____	T-Shirt Size _____

**MEASUREMENTS** (Refer to diagrams)

Materials  Aluminium

Seat Width - Rear _____	<b>E</b> Back Height _____	<b>K</b> Seat to Floor - Rear _____	<b>Q</b> Ergo Back - Height _____
Seat Width - Front _____	<b>F</b> Back Angle _____	<b>L</b> Balance Point _____	<b>R</b> Ergo Back - Angle _____
<b>A</b> Seat Length _____	<b>G</b> Seat to Footplate _____	<b>M</b> Pivot Centres _____	<b>S</b> Camber _____
<b>B</b> Seat Width _____	<b>H</b> Frame Length <small>(centre of camber bar to front of wing bar)</small>	<b>N</b> Footplate Position _____	<b>U</b> <input type="checkbox"/> Holes for Bindings
<b>C</b> Back Splay - Top _____	<b>I</b> Wheel Base <small>(centre of camber bar to centre of pivot)</small>	<b>O</b> Between Wheels _____	<b>V</b> <input type="checkbox"/> Flexible Backpost Cap <small>(fixed back height only)</small>
<b>D</b> Back Splay - Length _____	<b>J</b> Seat to Floor - Front _____	<b>P</b> Ergo Seat - Length _____	

**ADDITIONAL NOTES**  
(you can type here)



# Warrior Script Form

Rugby League Sports Wheelchair

Name \_\_\_\_\_

**FOOTPLATE**

- Alloy tube footplate (std)       Alloy footplate cover **AD11690**

**ANTI-TIPS**

- Twin swivel **AD15150**       Single swivel **AD15100**

**BEARINGS**

- Standard bearings       Melrose hybrid ceramic bearings **AD20400**

**CASTORS**

- Rollerblade (std)       Other \_\_\_\_\_

**SKIRT GUARDS**

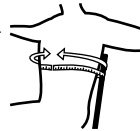
- Fabric skirt guards **AD16100**       Alloy skirt guards **AD16125**

**UPHOLSTERY**

- Seat sling (std)       Standard adj width back (std)       No Cushion       Hip strap - webbing **AD16510**  
 Tension adjustable back **AD16010**       Cushion 1" **AD16201**       Hip strap - ratchet **AD16550**  
 Cushion 2" **AD16202**       Foot strap - webbing (std)       Foot strap - ratchet **AD16350**  
 Leg strap **AD16330**

- Back bar cover **AD16420**

- Chest strap **AD45210**  
(measure around your chest and seat back)

**ACCESSORIES**

- Wheel bag (black with choice of trim colour) **AD16780** (Choose your trim colour) **Bk R Bl Y Gr Pk Pu**       Custom Wheel Bag **AD16781**  
(describe below)
- Extra axles (quantity) \_\_\_\_\_
- Gloves \_\_\_\_\_  
(style and size)

**ADDITIONAL NOTES**

(you can type here)

# Warrior Script Form

Rugby League Sports Wheelchair

Name \_\_\_\_\_

**WHEELS****24"**

- Spoked Wheels (std)
- Spinergy SL Wheels (24 spoke) **AD13410**
- Spinergy SLX Wheels (24 spoke) **AD13420**
- Spinergy SLX Wheels 5/8" axle (24 spoke) **AD13430**

**25"**

- Spoked Wheels (std)
- Spinergy SL Wheels (24 spoke) **AD13410**
- Spinergy SLX Wheels (24 spoke) **AD13420**
- Spinergy SLX Wheels 5/8" axle (24 spoke) **AD13430**

**26"**

- Spoked Wheels (std)
- Spinergy SL Wheels (24 spoke) **AD13410**
- Spinergy SLX Wheels (24 spoke) **AD13420**
- Spinergy SLX Wheels 5/8" axle (24 spoke) **AD13430**

**27"**

- Spoked Wheels (std)
- Spinergy SL Wheels (24 spoke) **AD13410**
- Spinergy SLX Wheels (24 spoke) **AD13420**

**TYRES****24"**

- 24" x 1" High Pressure Smooth (std)
- Kenda Ironcap Blue (std)
- Kenda Konstrictor (std)
- Schwalbe Right Run **AD13740**

**25"**

- 25" x 1" High Pressure Smooth (std)
- Kenda Ironcap Blue (std)
- Kenda Konstrictor (std)
- Kenda Kaliente **AD13720**
- Schwalbe Right Run **AD13740**
- Schwalbe Speedair **AD13770**

**26"**

- 26" x 1" High Pressure Smooth (std)
- Kenda Ironcap Blue (std)
- Schwalbe Right Run **AD13740**

**27"**

- 27" x 1" High Pressure Smooth (std)

**PUSHRIMS**

- Anodised alloy (std)       Rubber coated (red) **AD13850**

**PUSHRIMS - POSITION**

- Standard       In close       Onto rim

**SPOKE GUARDS**

- Nil       Clear polycarb dish **AD13920**       Clear polycarb attacker **AD13925**       Alloy poly (16mm pushrim) **AD13955**
- Alloy poly (19mm pushrim) **AD13955**       Oversized slotted black poly dish **AD13935**

**SPARE WHEELS**

- One spare wheel (as above)       With spoke guard (as above)       Pair of spare wheels (as above)       With spoke guards (as above)